

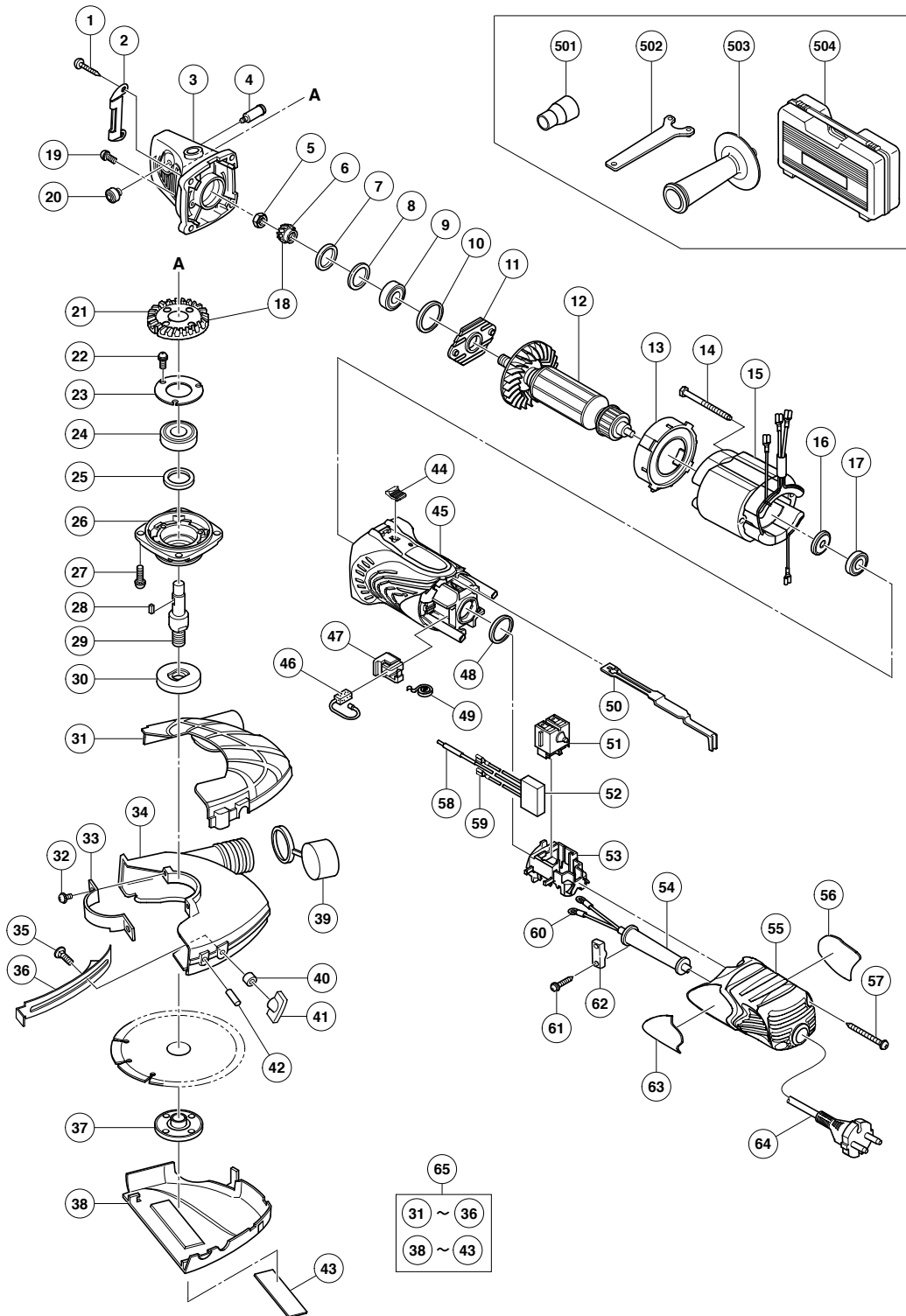
ELECTRIC TOOL PARTS LIST

■ CUTTER

2007 · 8 · 27

Model CM 5SB

(E1)



PARTS

CM 5SB

ITEM NO.	CODE NO.	DESCRIPTION	NO. USED	REMARKS
1	320-523	TAPPING SCREW D5X25 (BLACK)	4	
2	325-053	GUARD PLATE	1	
3	321-737	GEAR COVER ASS'Y	1	INCLUD. 4, 20
4	301-943	LOCK PIN	1	
5	949-558	NUT M8 (10 PCS.)	1	
6	308-541	PINION	1	
7	308-543	SEAL RING (A)	1	
8	980-866	WASHER (C)	1	
9	629-T12	BALL BEARING 629T12DDC3PS2-L	1	
10	321-733	RUBBER RING	1	
11	321-734	BEARING COVER	1	
* 12	360-734C	ARMATURE 110V	1	
* 12	360-734U	ARMATURE ASS'Y 120V	1	INCLUD. 9, 16, 17
* 12	360-734E	ARMATURE 230V-240V	1	
13	321-732	FAN GUIDE	1	
14	982-021	HEX. HD. TAPPING SCREW D4X70	2	
* 15	340-645C	STATOR 110V	1	
* 15	340-645D	STATOR 120V	1	
* 15	340-645E	STATOR 230V	1	
16	315-877	DUST SEAL	1	
17	608-VVM	BALL BEARING 608VVC2PS2L	1	
18	321-735	GEAR AND PINION ASS'Y	1	INCLUD. 6, 21
19	303-255	SEAL LOCK SCREW (W/SP. WASHER) M4X10	2	
20	301-944	PUSHING BUTTON	1	
21	321-736	GEAR	1	
22	991-207	SEAL LOCK SCREW (W/SP. WASHER) M4X8	3	
23	936-680	BEARING COVER (B)	1	
24	620-1DD	BALL BEARING 6201DDCMPS2L	1	
25	308-546	FELT PACKING	1	
26	308-545	PACKING GLAND	1	
27	307-046	SEAL LOCK SCREW (W/SP. WASHER) M5X16	4	
28	944-109	FEATHER KEY 3X3X8	1	
* 29	994-301	SPINDLE (A)	1	
* 29	994-302	SPINDLE (B)	1	FOR USA, CAN
* 30	937-817Z	WHEEL WASHER	1	
* 30	319-373	WHEEL WASHER	1	FOR USA, CAN
31	328-743	COVER (B)	1	
32	308-386	MACHINE SCREW (W/SP. WASHER) M5X16 (BLACK)	2	
33	301-949	SET PLATE	1	
34	328-741	DUST COLLECTOR COVER (A)	1	
35	942-808	BOLT (SQUARE) M6X20	1	
36	328-809	SLIDE GUIDE (A)	1	
* 37	994-324	WHEEL NUT M14	1	
* 37	937-923P	WHEEL NUT 5/8"-11UNC	1	FOR USA, CAN
38	328-742	COVER (A)	1	
39	324-865	DUST CAP	1	
40	328-841	SLEEVE	1	
41	314-622	WING NUT M6	1	
42	949-785	ROLL PIN D6X16 (10 PCS.)	1	
43	328-922	HITACHI PLATE	1	FOR DUST COLLECTION ADAPTER ASS'Y
44	314-428	SLIDE KNOB	1	

